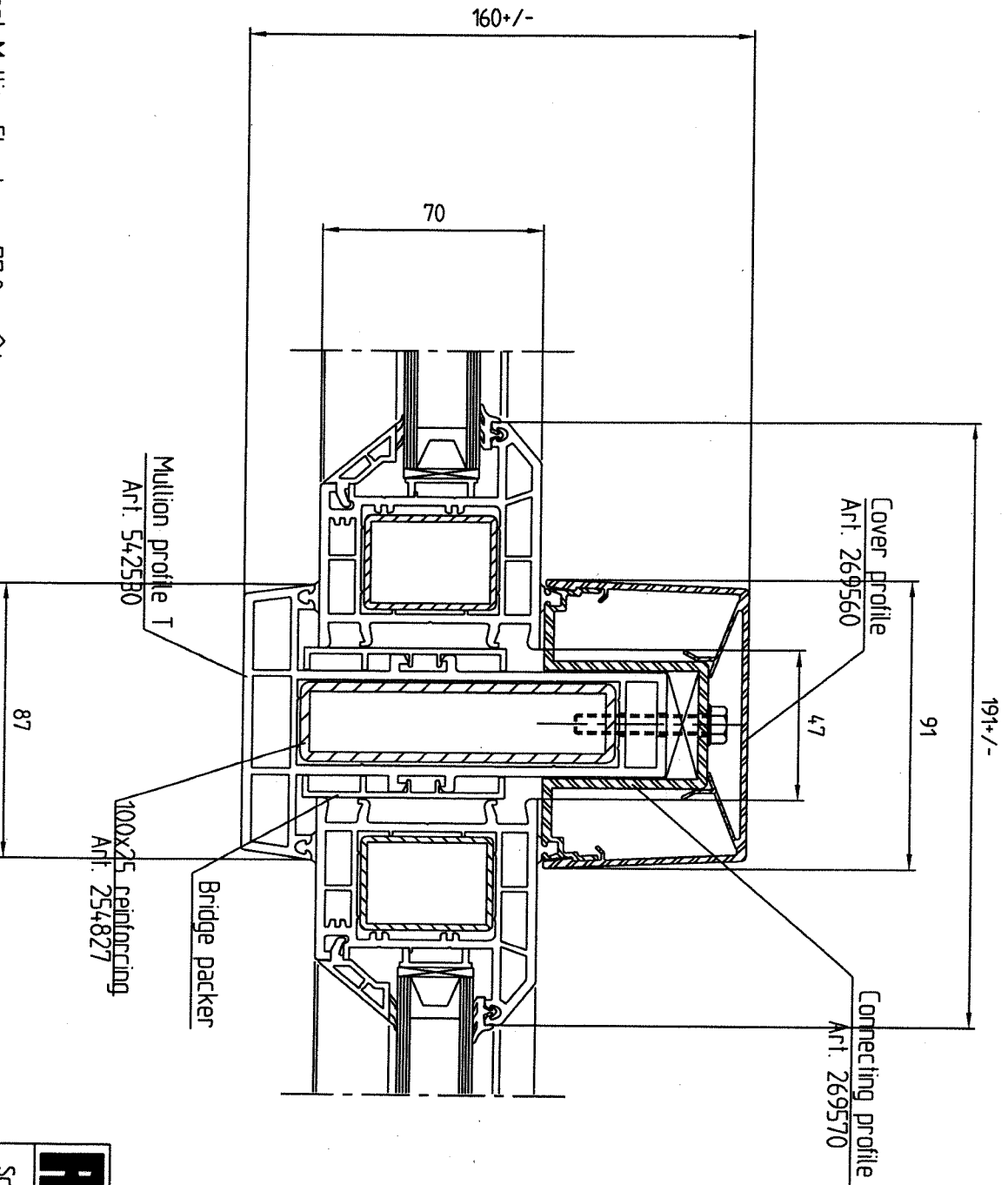


This document may not be passed on to third parties or copied, nor may its contents be made use of or disclosed unless permission has been clearly given. Contention of the above conditions will constitute liability for damages. All patent rights and the right to apply for utility patents are reserved.

DO NOT SCALE

"All statements, technical information and recommendations are based on experience and are to the best of our knowledge correct but are given without obligation and for guidance purposes only. Their accuracy or completeness is not guaranteed. The suitability of any Rehau products for a specific application should be checked by the contractor in advance."



Structural Mullion EI value = 77.0 cm<sup>4</sup>  
 Combined EI value = 86.7 cm<sup>4</sup>

*Stew Exp. Joint*

<b>REHAU</b>		Window System S706/713
Scale 12 date 0106.09	Structural Mullion Detail with Expansion Joint	
Man 0161 777 7423		