



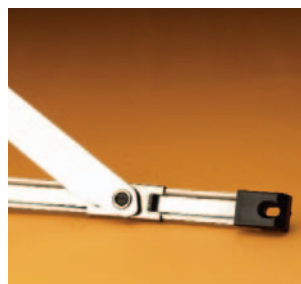
MEGA EGRESS HINGE

Product Code 0110



KEY PRODUCT FEATURES

- One size 330mm (13") suits all side hung applications up to 900mm sash width.
- In open position the sash is moved outside the frame to maximise the escape aperture.
- Can be moved into easy clean position, with auto locking back into egress operation.
- High security and excellent compression achieved by unique constraint closing feature.
- No hinge protection needed to achieve high security.
- Superior carrying heights - maximum 40kg load.



TECHNICAL SPECIFICATION

For casement window systems, the Mega Egress friction hinge is suitable for all side hung applications. Due to the design's superior integral strength, one hinge size covers all frame widths up to 900mm at a maximum load of 40kg.

TESTING AND ACCREDITATION

UKAS laboratory tested to BS EN 1670 and has exceeded grade 5 classification for ultimate corrosion resistance.

Tested to over 25,000 cycles under 40kg operational load.

Has been tested to the equivalent of BS7950 security test - 3Kn perpendicular load with 1Kn lateral load.

BBA accredited certificate number S2-41921.

PRODUCT MATERIAL SPECIFICATIONS

Stainless steel parts are - 430 S17.

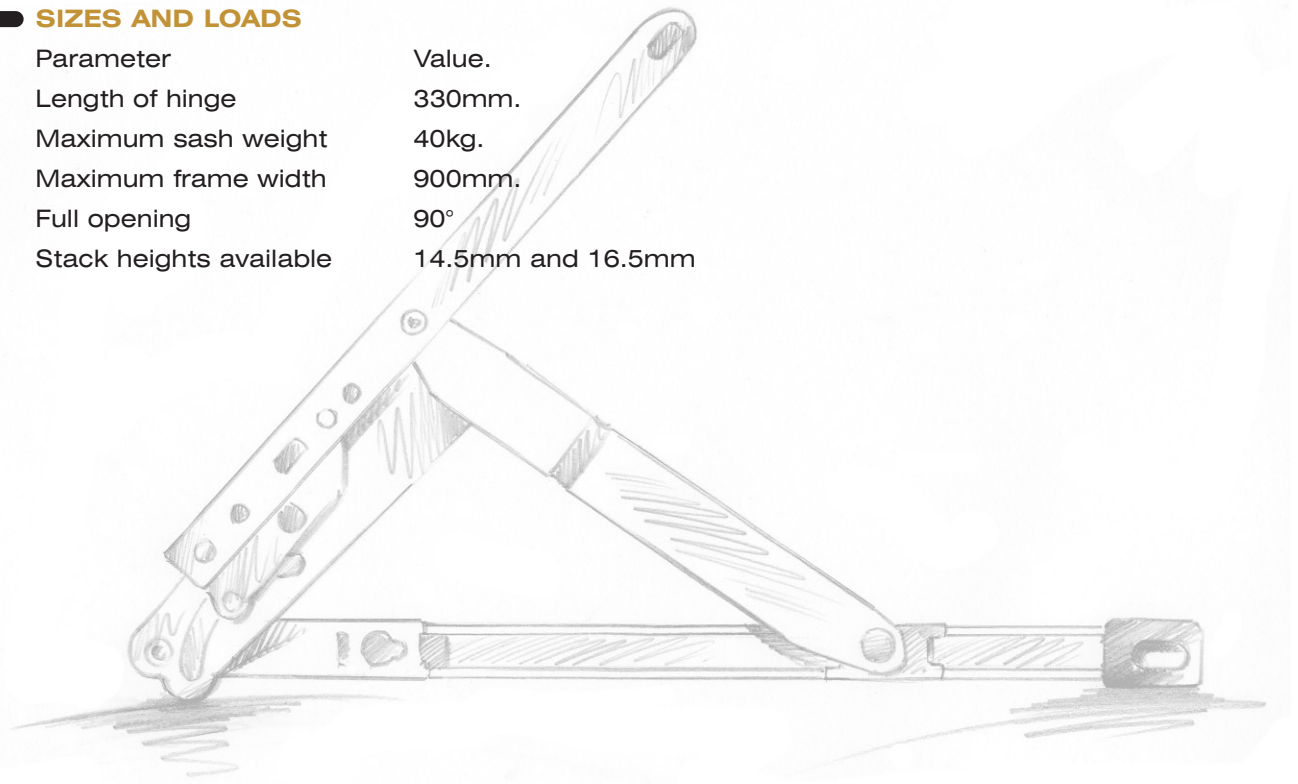
Plastic parts are glass reinforced Nylon 66.

RECOMMENDATIONS

Immobilizer to be fitted to easy clean feature on sash widths above 600mm (See fitting instructions).

SIZES AND LOADS

Parameter	Value.
Length of hinge	330mm.
Maximum sash weight	40kg.
Maximum frame width	900mm.
Full opening	90°
Stack heights available	14.5mm and 16.5mm



The Strength of Hardware Design

